

Spare parts list

(15172050) RADIUS 28

(15172060) RADIUS 28 DeLuxe

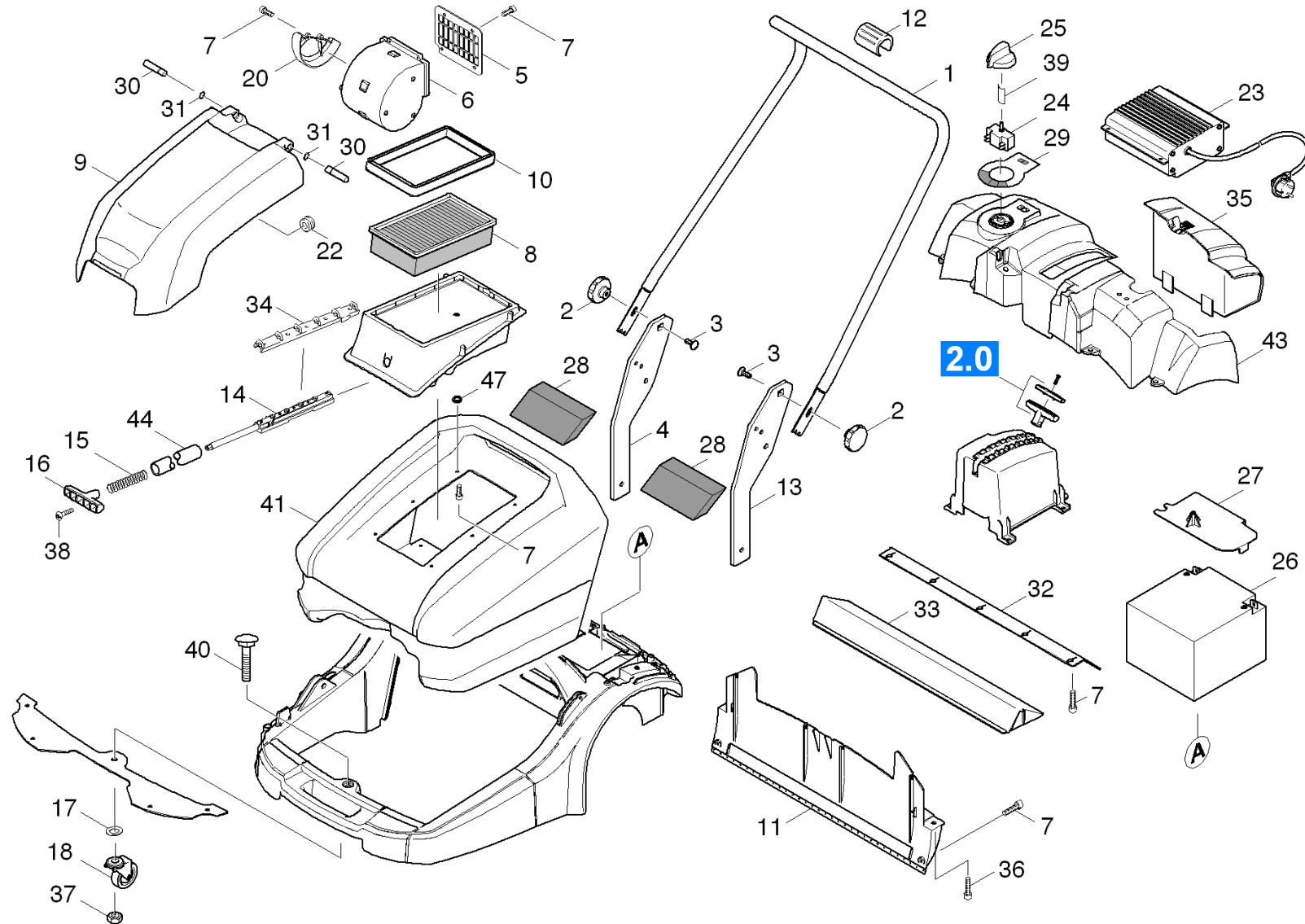
CONTENT LIST

1.0 Individual parts

2.0 Transmission

3.0 SIDE BROOM

1.0 Individual parts



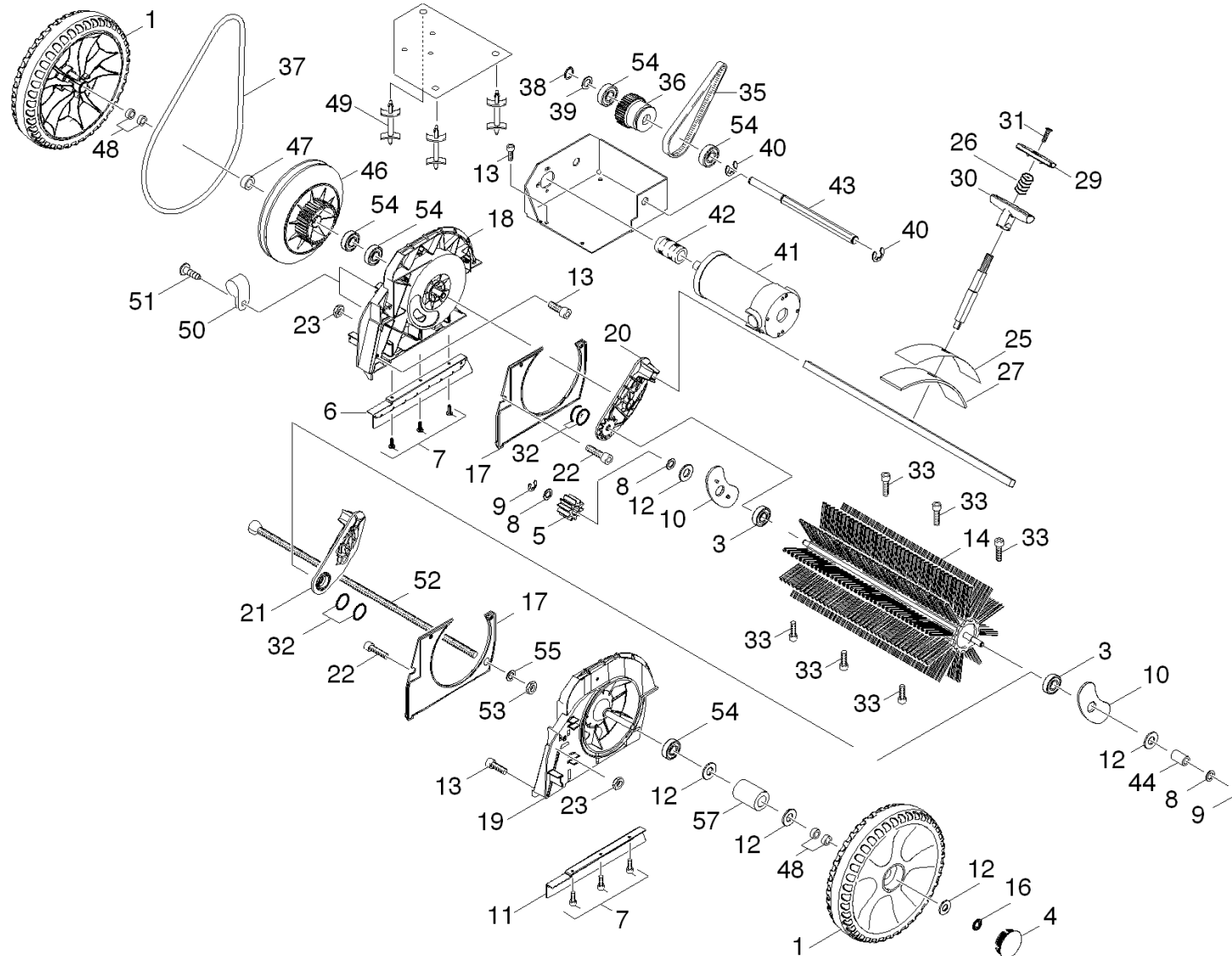
1.0 Individual parts

| POS | DESCRIPTION ADDITIONAL INFORMATIONS | PART NO | QTY. | FROM SER.NR. | UP TO SER. NR. |
|-----|----------------------------------------|------------------------------|------|--------------|----------------|
| 1 | Tube shearing shackle | 51287750 | 1 | | |
| 2 | TURNING KNOB | 63211770 | 2 | | |
| 3 | Saucer-head screw M8x25-St-AOP DIN 603 | 73031940 | 2 | | |
| 4 | Sheet metal component right | 50577900 | 1 | | |
| 5 | Protection part blower 1.517-206 | 53947760 | 1 | | |
| 6 | Blower 1.517-206 | 64843070 | 1 | | |
| 7 | Screw 5x16 -10.9-P2R (K-In6Rd) | 73031070 | 11 | | |
| 8 | Flat filter 1.517-206 | 69041760 | 1 | | |
| 9 | Moulded part flap blue 1.517-206 | 52150040 | 1 | | |
| 10 | Seal silicon 1.517-206 | 63655140 | 1 | | |
| 11 | MOULDED PART | 50326410 | 1 | | |
| 12 | CLAMP | 63738670 | 1 | | |
| 13 | Sheet metal component left | 50578550 | 1 | | |
| 14 | Filter vibrator 1.517-206 | 50329070 | 1 | | |
| 15 | HELICAL SPRING 1.517-206 | 53322310 | 1 | | |
| 16 | Handhold filter vibrator 1.517-206 | 53217940 | 1 | | |
| 17 | Washer 10-200HV-A3E ISO 7090 | 73120050 | 2 | | |
| 18 | CASTOR | 64351110 | 1 | | |
| 20 | Covering cap blower 1.517-206 | 50329160 | 1 | | |
| 22 | Wire protecting sleeve | 66416380 | 1 | | |
| 23 | Battery charger 1.517-206 | 66542030 66542340 | 1 | | |
| 24 | Switch control panel | 66355000 | 1 | | |

1.0 Individual parts

| POS | DESCRIPTION ADDITIONAL INFORMATIONS | PART NO | QTY. | FROM SER.NR. | UP TO SER. NR. |
|-----|-------------------------------------------------------------|----------|------|--------------|----------------|
| 25 | Handhold operational concept | 53217380 | 1 | | |
| 26 | Battery 12V 22Ah | 66542020 | 1 | | |
| 27 | Covering cap battery | 50329280 | 1 | | |
| 28 | Filter cartridge for KM 70/30 C | 57316250 | 2 | | |
| 29 | Foil control panel KM 70/30 | 53912480 | 1 | | |
| 30 | Bolt with groove 1.517-206 | 53171840 | 2 | | |
| 31 | Lock washer 8 -St-ph DIN 6799 1.517-206 | 73433020 | 2 | | |
| 32 | Ground lip | 69038010 | 1 | | |
| 33 | Holder ground lips sweep tank | 69038000 | 1 | | |
| 34 | Stripper 1.517-206 | 50309000 | 1 | | |
| 35 | Cover batterie shed | 56540730 | 1 | | |
| 36 | Screw 5x30 -10.9-R2R (K-In6Rd) | 73030860 | 6 | | |
| 37 | Hexagon nut M10-8-A2E ISO 7040 | 73115110 | 1 | | |
| 38 | Screw 4x16 -10.9-R2R (K-In6Rd) 1.517-206 | 73031290 | 1 | | |
| 39 | SPRING CLIP | 63130140 | 1 | | |
| 40 | Saucer-head screw M10x80 -St-AOP DIN 60 | 73032220 | 1 | | |
| 41 | Sweep tank complete blue 1.517-205 | 40706410 | 1 | | |
| 41 | Sweep tank complete blue 1.517-206 | 40706420 | 1 | | |
| 43 | Cover with hinge | 50680000 | 1 | | |
| 43 | Cover without hinge | 50681830 | 1 | | |
| 44 | Tube filter vibrator 1.517-206 | 50272910 | 1 | | |
| 47 | JOINT RING 1.517-206 | 64729690 | 6 | | |

2.0 Transmission



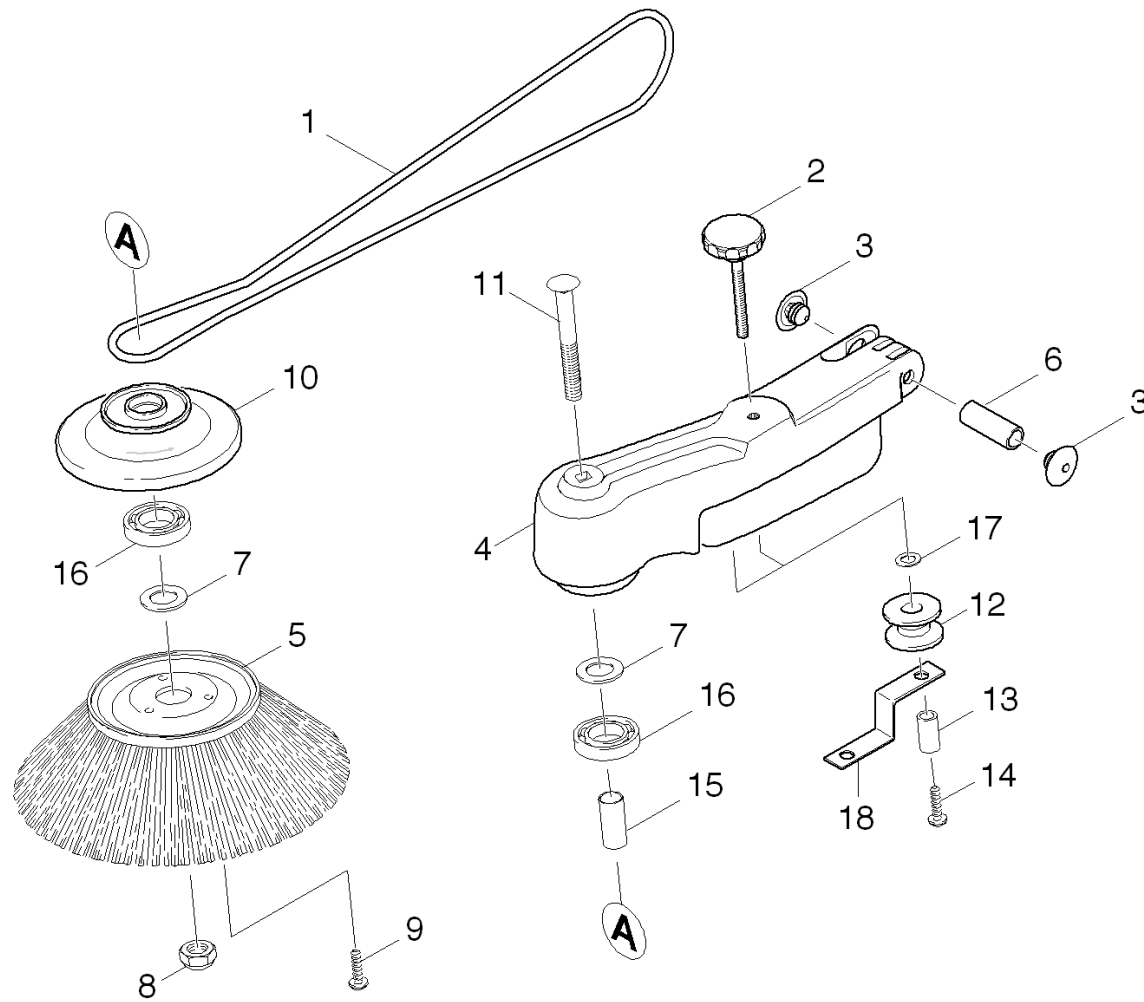
2.0 Transmission

| POS | DESCRIPTION ADDITIONAL INFORMATIONS | PART NO | QTY. | FROM SER.NR. | UP TO SER. NR. |
|-----|------------------------------------------|----------|------|--------------|----------------|
| 1 | Wheel complete | 45152800 | 2 | | |
| 3 | Ball bearing 6001-2RS-EDELSTAHL DIN 625 | 74010080 | 2 | | |
| 4 | WHEEL CAB | 53920380 | 2 | | |
| 5 | Pinion with sprag clutch | 43520120 | 1 | | |
| 6 | Skirting right | 53948020 | 1 | | |
| 7 | Screw 5x16 -10.9-P2R (K-In6Rd) | 73031070 | 14 | | |
| 8 | Shim ring 10x16x0,5-St2K50 DIN988 | 73432160 | 4 | | |
| 9 | Lock washer 8 -St-ph DIN 6799 | 73433020 | 2 | | |
| 10 | Gasket disc | 63653600 | 2 | | |
| 11 | Skirting left | 53948030 | 1 | | |
| 12 | WASHER | 51156280 | 4 | | |
| 13 | Screw 6x25 -10.9-A2R (In6Rd) | 73031130 | 6 | | |
| 14 | Reversing rolling mill | 69060410 | 1 | | |
| 17 | Covering cap | 50326530 | 2 | | |
| 18 | Axle drum right | 50329060 | 1 | | |
| 19 | Axle drum left | 50329170 | 1 | | |
| 20 | Stub axle right | 50326400 | 1 | | |
| 21 | Stub axle left | 50326430 | 1 | | |
| 22 | Screw M 6x35 -8.8-R3R (In6Rd) | 73061180 | 4 | | |
| 23 | Hexagon nut M6 -04-A2E ISO 4035 | 73112000 | 4 | | |
| 25 | Plate spring steel | 50089260 | 1 | | |
| 26 | HELICAL SPRING | 53324810 | 1 | | |
| 27 | Seal | 53636300 | 1 | | |
| 29 | BUTTON | 53260280 | 1 | | |
| 30 | HANDLE | 53217360 | 1 | | |
| 31 | Countersunk screw M5x20 -A2-70-s (In6Rd) | 73050500 | 1 | | |
| 32 | O RING | 63623660 | 4 | | |
| 33 | Screw 5x30 -10.9-A2R (In6Rd) | 73032100 | 1 | | |
| 35 | Toothed belt HTD 330-3M-15 | 63484320 | 1 | | |
| 36 | Belt pulley | 56254660 | 1 | | |
| 37 | Round belt D 8 | 63484280 | 1 | | |
| 38 | Locking ring 12x1-Rf-St DIN 471 | 73430030 | 1 | | |

2.0 Transmission

| POS | DESCRIPTION ADDITIONAL INFORMATIONS | PART NO | QTY. | FROM SER.NR. | UP TO SER. NR. |
|-----|----------------------------------------|----------|------|--------------|----------------|
| 39 | Washer 12-200HV-A3E ISO 7090 | 73120080 | 1 | | |
| 40 | Lock washer 12-St-A2E DIN 6799 | 73433060 | 2 | | |
| 41 | Electric motor 12 V 150 W | 66130990 | 1 | | |
| 42 | Toothed belt pulley 15 Z | 56254710 | 1 | | |
| 43 | Shaft hexagon | 51004990 | 1 | | |
| 44 | SLEEVE DISTANZ- | 51105140 | 1 | | |
| 46 | Belt pulley | 56254670 | 1 | | |
| 47 | Spacer sleeve | 51162020 | 1 | | |
| 48 | Plain bearing | 64030550 | 4 | | |
| 49 | Distance holder | 66466980 | 3 | | |
| 50 | CABLE CLIP | 66414600 | 2 | | |
| 51 | Screw 4x16 -10.9-R2R (K-In6Rd) | 73031290 | 2 | | |
| 52 | Threaded rod | 53091520 | 1 | | |
| 53 | Hexagon nut M6 -04-A2E ISO 10511 | 73114250 | 1 | | |
| 54 | BALL BEARING | 64013630 | 5 | | |
| 55 | Washer 6 -200HV-A3E ISO 7090 | 73120030 | 1 | | |
| 57 | Spacer sleeve | 51128140 | 1 | | |

3.0 SIDE BROOM



3.0 SIDE BROOM

| POS | DESCRIPTION ADDITIONAL INFORMATIONS | PART NO | QTY. | FROM SER.NR. | UP TO SER. NR. |
|-----|-----------------------------------------|----------|------|--------------|----------------|
| 1 | BELT | 63482290 | 1 | | |
| 2 | TURNING KNOB | 63211760 | 1 | | |
| 3 | PLUG | 63859350 | 2 | | |
| 4 | Arm side broom | 50326380 | 1 | | |
| 5 | BROOM | 69660050 | 1 | | |
| 6 | SLEEVE | 51161190 | 1 | | |
| 7 | Washer 10 -160HV-A3E EN28738 | 73121530 | 2 | | |
| 8 | Hexagon nut M10-8-A2E ISO 7040 | 73115110 | 1 | | |
| 9 | Screw 6x20 -10.9-R2R (In6Rd) | 73031120 | 3 | | |
| 10 | FLANGE | 69660020 | 1 | | |
| 11 | Saucer-head screw M10x130-St-AOP DIN 60 | 73032080 | 1 | | |
| 12 | DEFLECTION PULLEY | 69660070 | 2 | | |
| 13 | Tube 10x1,5x16 | 69660090 | 2 | | |
| 14 | Screw 6 x 35-ST-10.9-A2R (IN6RD) | 73031140 | 2 | | |
| 15 | Spacer sleeve 12x0,8x31 | 69660200 | 1 | | |
| 16 | Ball bearing 6001-2RS-EDELSTAHL DIN 625 | 74010080 | 2 | | |
| 17 | Washer 6 -200HV-A2E ISO7093-1 | 73122760 | 2 | | |
| 18 | Sheet metal component belt side broom | 50613560 | 1 | | |